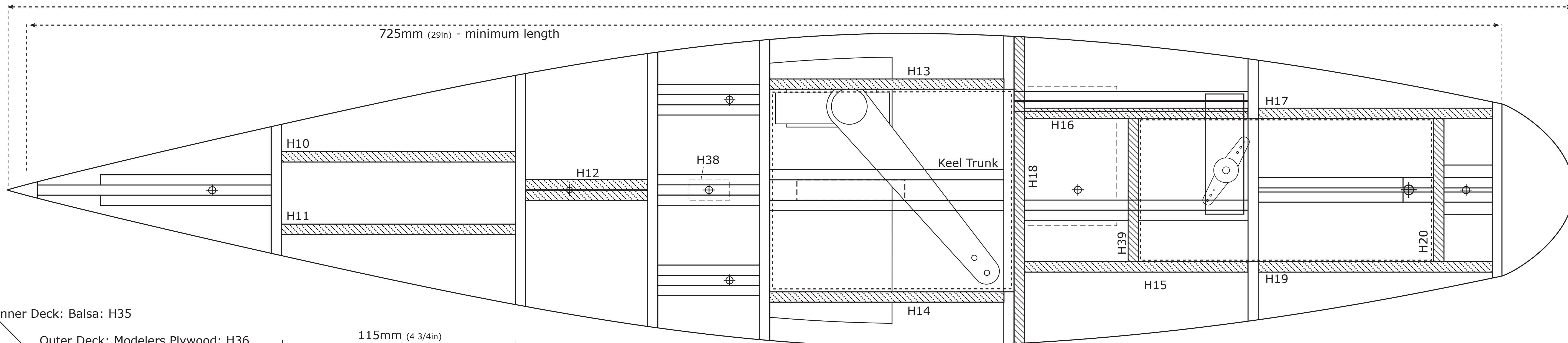


770mm (30 1/2in) - maximum overall length

725mm (29in) - minimum length



Inner Deck: Balsa: H35

Outer Deck: Modelers Plywood: H36

115mm (4 3/4in)

Bulkhead B

Bulkhead C

Bulkhead C2

Bulkhead D

Bulkhead E

Bulkhead F

Bulkhead G

H25

H8 & H9

Nose Bulkhead A2

H26-34

Mast Step Tube : R8

Sail Servo & Arm

H22

Rudder Servo

H20 & H21

Rudder Stock

H7

H6

H37

Rudder Arm : Plastic H38

Rudder Post: H37

Bulkhead G

Bulkhead B

Bulkhead E

Bulkhead C

Bulkhead F

Bulkhead D

Balsa: H4 & H5

Nose Bulkhead A2

Sail Servo Tray
H1

Bulkhead C2

Aluminium: H3

Keel Bulb : Lead : H2
1.2-1.3Kg (2.6-2.9lbs)

Keel Bulb [length] - 215mm (8 1/2in); widest section 30mm (1 1/4in)

Boat Design: RacingSparrow 750

Scale 1:1

©Bryn Heveldt. www.racingsparrow.co.nz

Sail Design: RacingSparrow750 A-Rig **Scale 1:1**
 ©Bryn Heveldt. For free alternative sail designs goto: www.racingsparrow.co.nz

